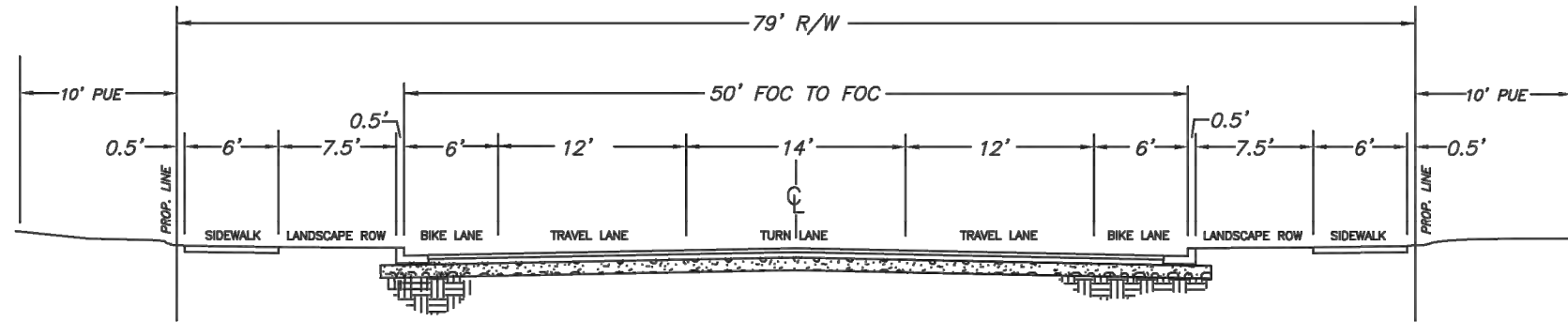


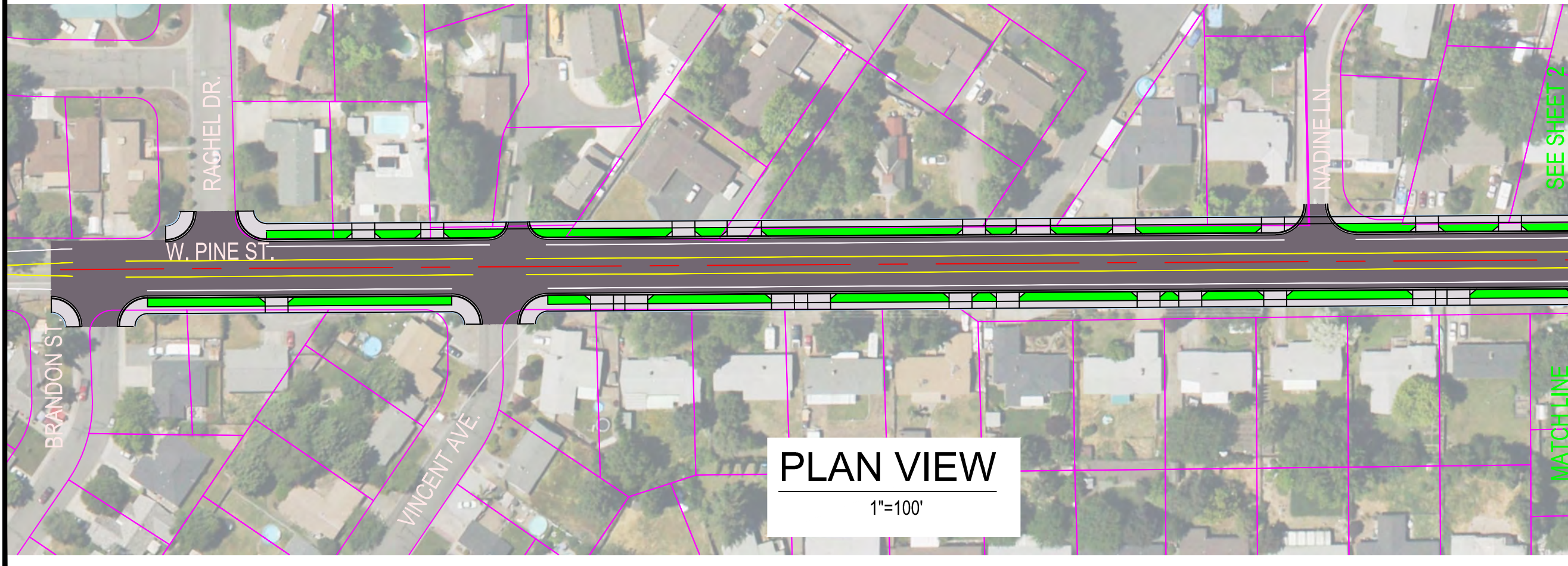
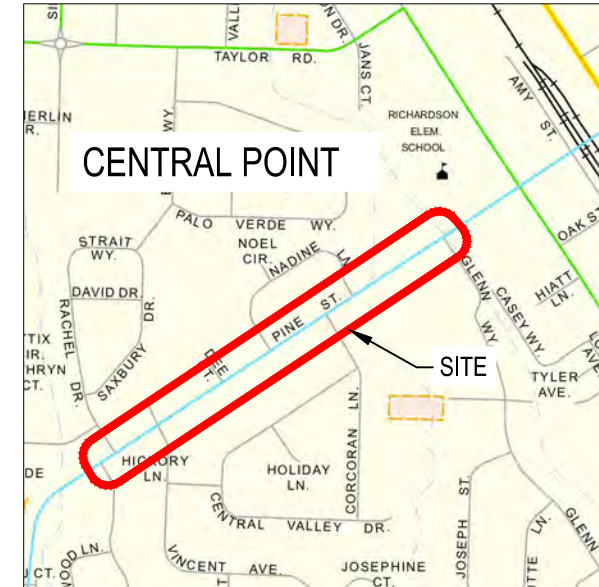


RH2 ENGINEERING, INC.
www.rh2.com 1.800.720.8052
CENTRAL POINT, OR
60 N 4th Street



3 LANE MINOR ARTERIAL STREET

W/BIKE LANES, W/LANDSCAPE ROWS
(RETROFIT ONLY)
NOT TO SCALE



PLAN VIEW

1"=100'

CITY OF CENTRAL POINT
STREET IMPROVEMENTS
WEST PINE STREET

BRANDON ST. TO NADINE LN.



SCALE: AS SHOWN



DRAWING IS FULL SCALE WHEN
BAR MEASURES 2"

DWG NO.:

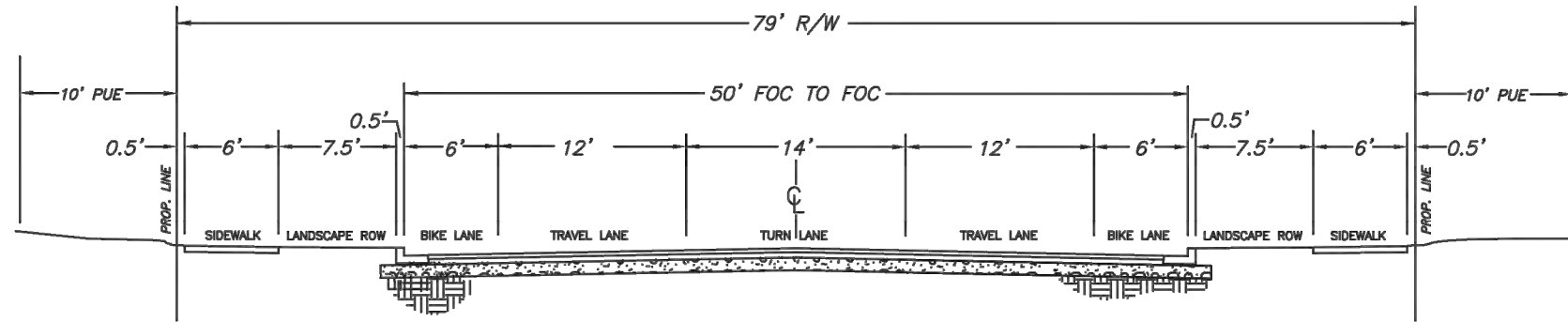
SHEET NO.:

1

2

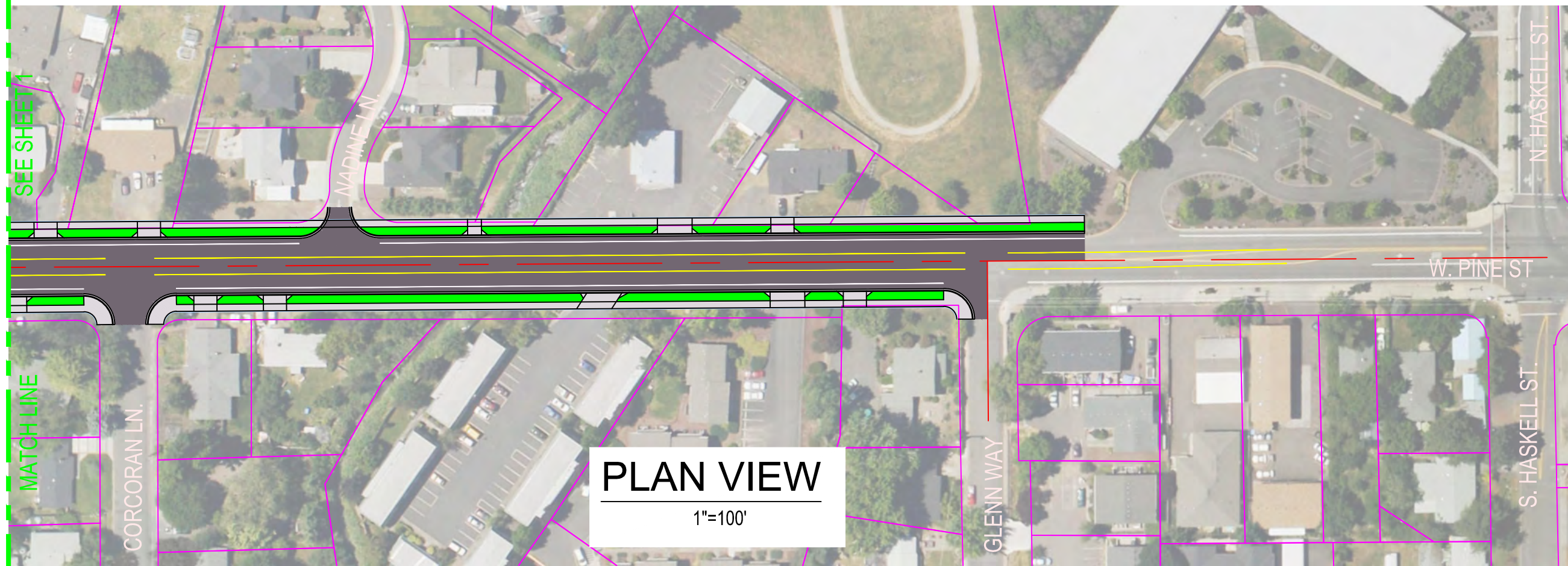
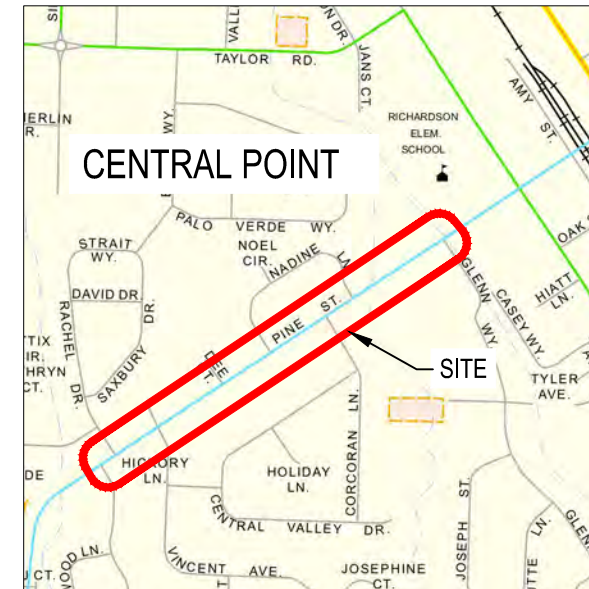


RH2 ENGINEERING, INC.
www.rh2.com 1.800.720.8052
CENTRAL POINT, OR
60 N 4th Street



3 LANE MINOR ARTERIAL STREET

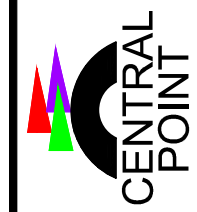
W/BIKE LANES, W/LANDSCAPE ROWS
(RETROFIT ONLY)
NOT TO SCALE



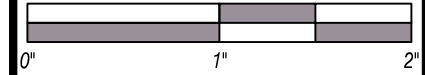
PLAN VIEW
1"=100'

**CITY OF CENTRAL POINT
STREET IMPROVEMENTS
WEST PINE STREET**

CORCORAN LN. TO GLENN WAY



SCALE: AS SHOWN



DRAWING IS FULL SCALE WHEN
BAR MEASURES 2"

DWG NO.: SHEET NO.:
2 2