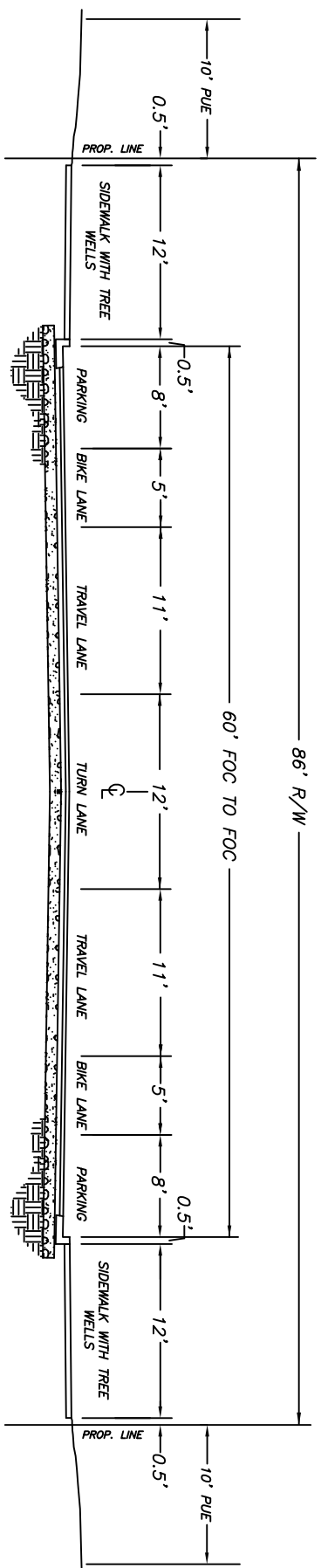




REVISIONS	DATE
APPROVED	DATE
CHECKED	DATE

DRAWING NO.

WEST PINE TYPICAL SECTION #1



3 LANE MINOR ARTERIAL STREET

W/BIKE LANES, W/PARKING (BOTH SIDES), W/LANDSCAPE ROWS

NOT TO SCALE

NOTES

1. R-O-W WIDTH DOES NOT INCLUDE PARKING LANES, TRANSIT PULLOUT, OR DECELERATION/ ACCELERATION LANE REQUIREMENTS.
2. PUBLIC UTILITY EASEMENT WIDTHS ARE IN ADDITION TO R-O-W.
3. SEE TABLE 300-3 FOR MINIMUM STREET SECTION REQUIREMENTS.
4. SEE TABLE 300-1A FOR WIDTHS AND RIGHT OF REQUIREMENTS.
5. TRANSVERSE GRADE ARE 3%.

FILE: CP-ST-30.DWG

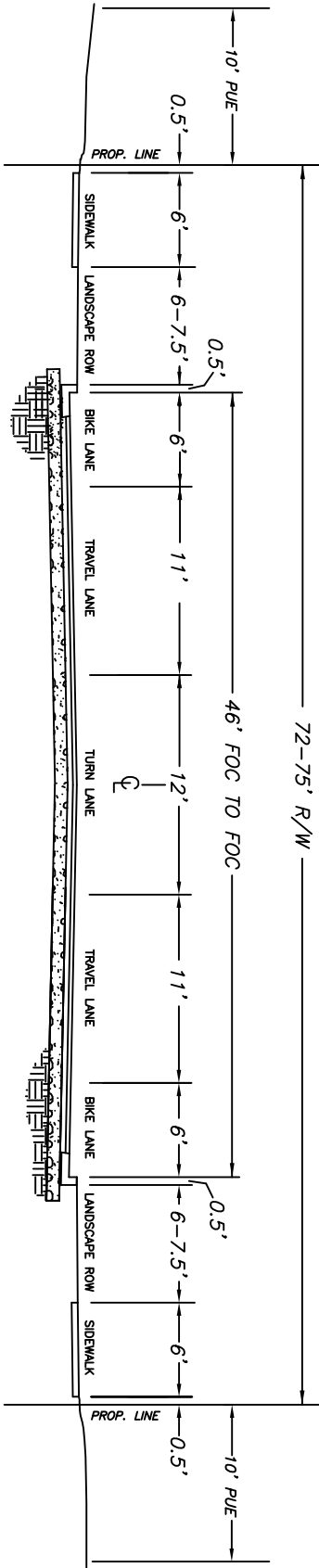


REVISIONS	DATE
CHECKED	DATE
APPROVED	DATE

DRAWING No.

FILE: CP-ST-30.DWG

WEST PINE TYPICAL SECTION # 2



3 LANE MINOR ARTERIAL STREET

W/BIKE LANES, W/LANDSCAPE ROWS
(RETROFIT ONLY)
NOT TO SCALE

NOTES

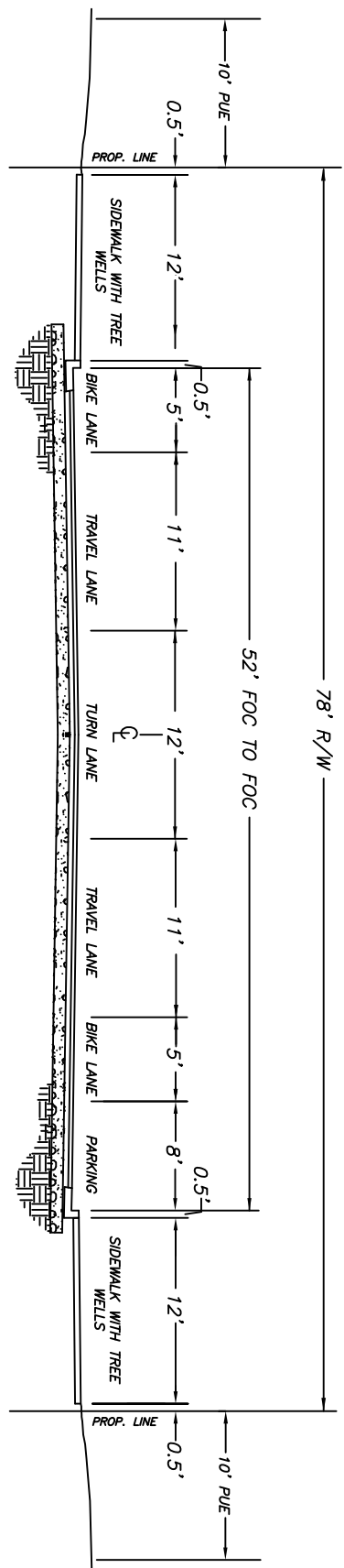
1. R-O-W WIDTH DOES NOT INCLUDE PARKING LANES, TRANSIT PULLOUT, OR DECELERATION/ ACCELERATION LANE REQUIREMENTS.
2. PUBLIC UTILITY EASEMENT WIDTHS ARE IN ADDITION TO R-O-W.
3. SEE TABLE 300-3 FOR MINIMUM STREET SECTION REQUIREMENTS.
4. SEE TABLE 300-1A FOR WIDTHS AND RIGHT OF REQUIREMENTS.
5. TRANSVERSE GRADE ARE 3%.



REVISID	DATE
APPROVED	DATE
CHECKED	DATE

DRAWING NO.

WEST PINE TYPICAL SECTION #3



3 LANE MINOR ARTERIAL STREET

W/BIKE LANE, W/PARKING (ONE SIDE)
NOT TO SCALE

NOTES

1. R-O-W WIDTH DOES NOT INCLUDE PARKING LANES, TRANSIT PULLOUT, OR DECELERATION/ ACCELERATION LANE REQUIREMENTS.
2. PUBLIC UTILITY EASEMENT WIDTHS ARE IN ADDITION TO R-O-W.
3. SEE TABLE 300-3 FOR MINIMUM STREET SECTION REQUIREMENTS.
4. SEE TABLE 300-1A FOR WIDTHS AND RIGHT OF REQUIREMENTS.
5. TRANSVERSE GRADE ARE 3%.

FILE: CP-ST-30.DWG



CITY OF
CENTRAL POINT
 PUBLIC WORKS DEPARTMENT

3 LANE MINOR ARTERIAL STREETS

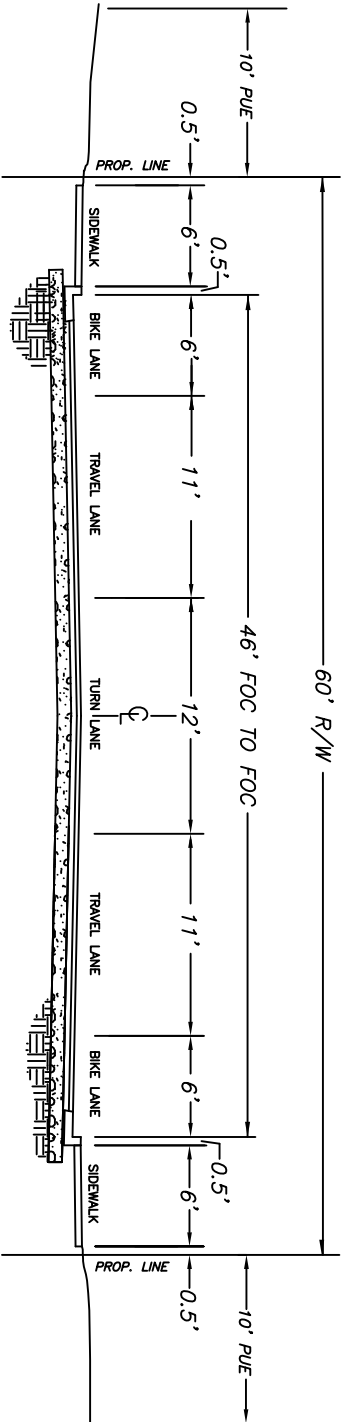
UNIFORM STANDARDS
 FOR
 PUBLIC WORKS CONSTRUCTION

REVISID	DATE
APPROVED	DATE
CHECKED	DATE

DRAWING NO.

FILE: CP-ST-30.DWG

WEST PINE TYPICAL SECTION #4



3 LANE MINOR ARTERIAL STREET

W/BIKE LANES
 (RETROFIT ONLY)
 NOT TO SCALE

NOTES

1. R-O-W WIDTH DOES NOT INCLUDE PARKING LANES, TRANSIT PULLOUT, OR DECELERATION/ ACCELERATION LANE REQUIREMENTS.
2. PUBLIC UTILITY EASEMENT WIDTHS ARE IN ADDITION TO R-O-W.
3. SEE TABLE 300-3 FOR MINIMUM STREET SECTION REQUIREMENTS.
4. SEE TABLE 300-1A FOR WIDTHS AND RIGHT OF REQUIREMENTS.
5. TRANSVERSE GRADE ARE 3%.